

**ALTIMETER ANTENNAS**

**MODEL LG81N1**

**LG81N1 Altimeter Antenna Characteristics**

The LG81N1 is a flush mount radio altimeter antenna with integrated band pass filter. It is a laminated construction with microstrip element on high performance substrate. This Antenna was designed by Honeywell for use with the Honeywell AN/APN-194 Altimeter.

**National Stock Number**

(NSN): 5985-01-159-4351 AS2728/APN-194

**Electrical Characteristics:**

Frequency band . . . . . 4250 to 4350 MHz

**VSWR Sum**

4250 MHz . . . . . 1.80 : 1.0 Maximum  
4300 MHz . . . . . 1.50 : 1.0 Maximum  
4350 MHz . . . . . 1.80 : 1.0 Maximum

Polarization . . . . . Linear

**Half Power Beam Width**

E Plane . . . . . NLT 50 deg. Nominal  
H Plane . . . . . NLT 50 deg. Nominal

Gain Sum . . . . . 9.0 dBi Minimum

Isolation (Paired) . . . . . 85 dB Minimum

**Second Harmonic Rejection**

8500 to 9700 MHz . . . . . NLT 50 dB  
8350 to 8850 MHz . . . . . NLT 25 dB

**Physical Characteristics:**

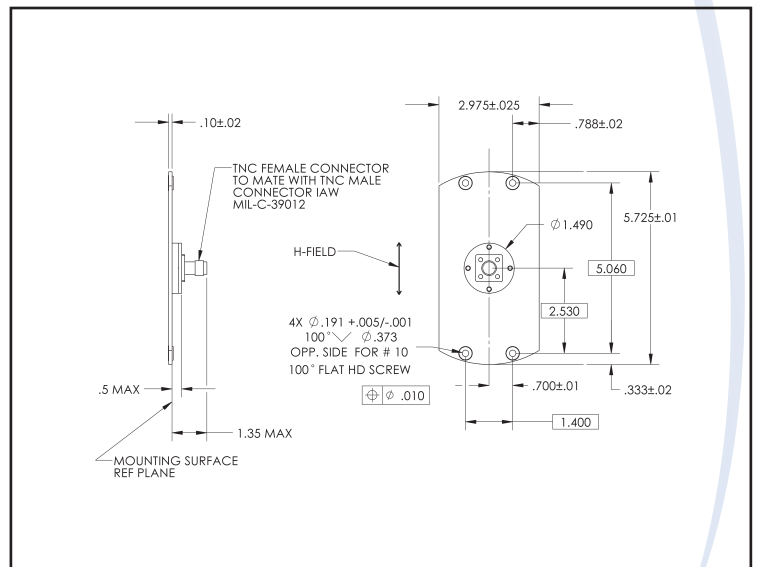
Weight . . . . . 4 ozs. (.131 kg)  
Length . . . . . 5.725 in (14.54 cm)  
Height . . . . . 1.45 in (3.68 cm) MAX  
Width . . . . . 2.975 in (7.56 cm)

**Construction**

- Plated Aluminum Body
- Stainless Steel TNC Connector
- Teflon Radome

All antennas manufactured by Antenna Associates are tested to OEM specifications and requirements including VSWR, Radiation Patterns, Isolation, and Second Harmonic Rejection.

Antenna Associates Inc. is the only Honeywell licensed manufacturer approved for use on their AN/APN-194 Altimeter.



**LG81N1 INTERFACE DIMENSIONS**

Rev A